

TB-Max Series Rotary Cutter Parts Manual

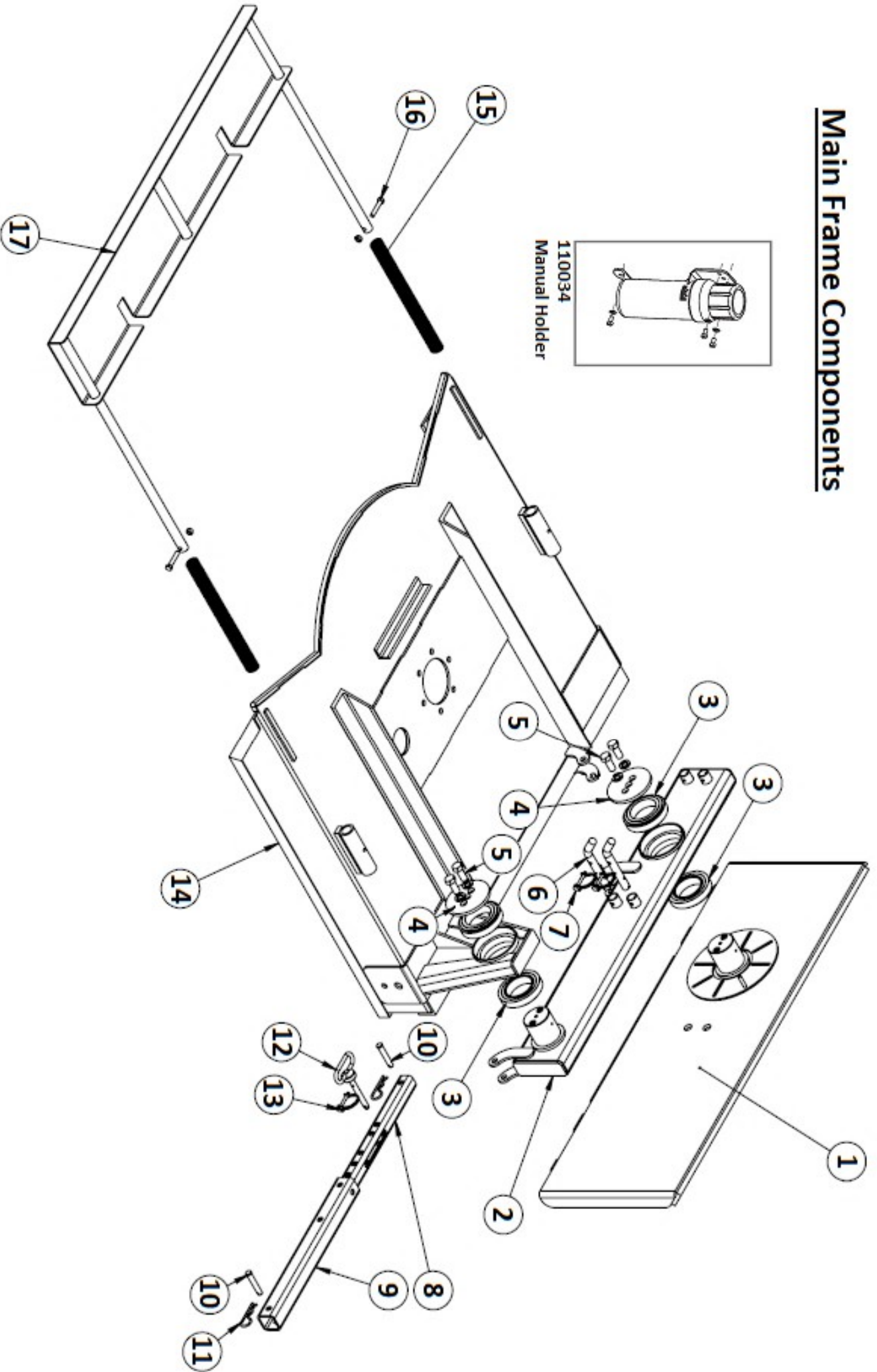
TRAILBLAZER
ATTACHMENTS

Contact your Authorized Trailblazer Dealer for all your parts needs



TB - Max

Main Frame Components



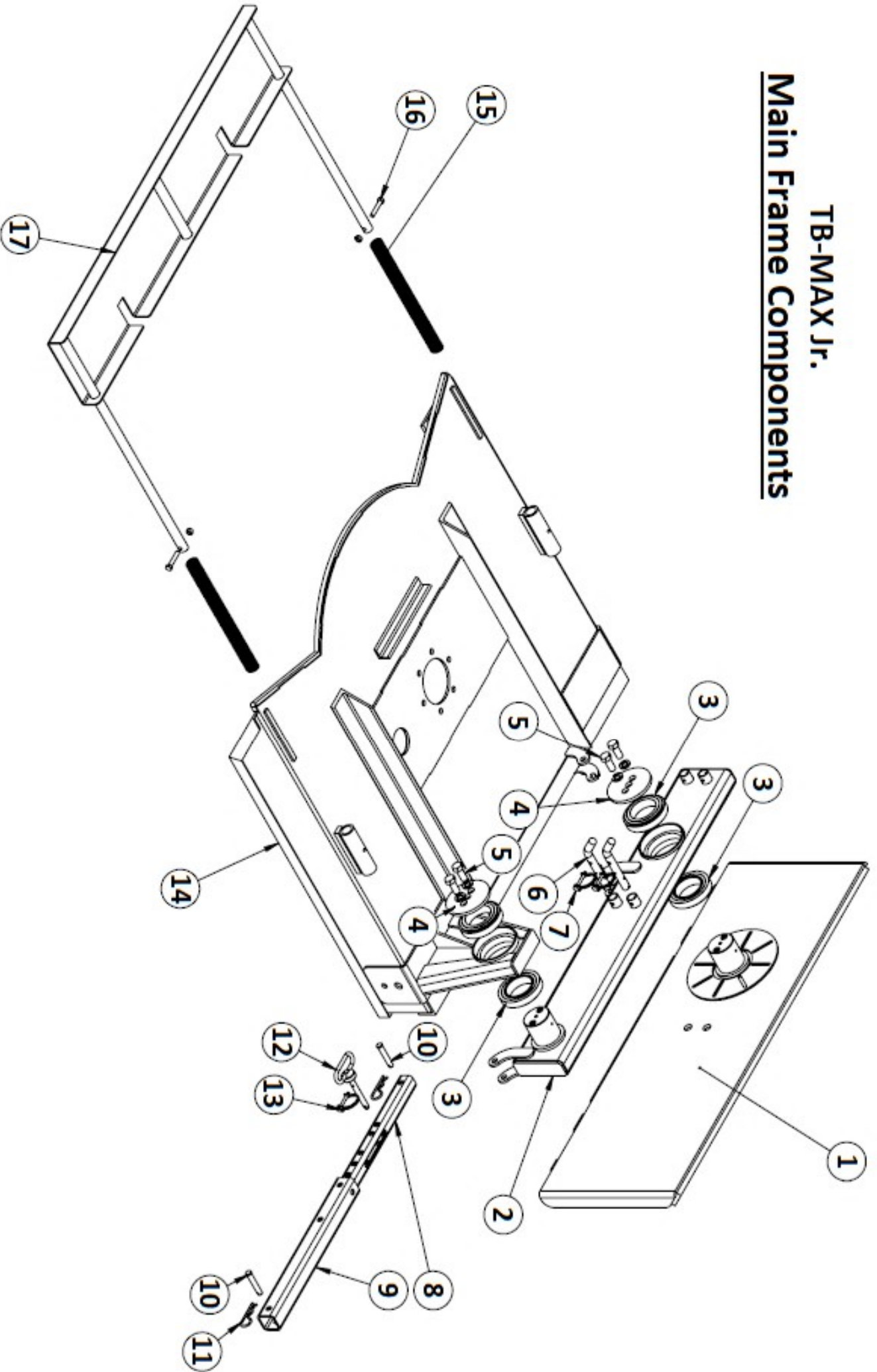
Main Frame Components

Item	Part #	Description	Qty
1	620120	TB-ULTIMATE (SSQA HITCH) Shown	A/R
	620121	TB-ULTIMATE (JD 400/500 HITCH) Not Shown	A/R
	620122	TB-ULTIMATE (EURO GLOBAL HITCH) Not Shown	A/R
	620123	TB-ULTIMATE (UNIVERSAL PIN ON HITCH) Not Shown	A/R
2	620127	TB-ULTIMATE SWING ARM	1
3	620005	PIVOT ARM BRG & CUP	4
4	620038	BEARING CAP	2
5	620095	BOLT & LOCKWASHER 5/8" X 1-1/2" Gr.8	4
6	620094	3/4" LOCK PIN	2
7	620093	WIRE LOCK CLEVIS PIN 1/4" X 2-3/8"	2
8	620126	FLOAT TUBE-INNER 1-1/2" Sq.	1
9	620125	FLOAT TUBE OUTER 2" Sq.	1
10	620091	CLEVIS PIN 1/2"	2
11	620092	R-CLIP	2
12	620096	T-HANDLE PIN W/R-CLIP	1
13	620092	R-CLIP	1
14	620124	TB-ULTIMATE DECK W/DECALS	1
15	620017	SAFETY SHIELD SPRING	2
16	620018	BOLT & LOCKNUT 3/8" X 2" Gr.2	2
17	620016	SAFETY SHIELD	1

Note: A/R = As Required

TB-MAX Jr.

Main Frame Components

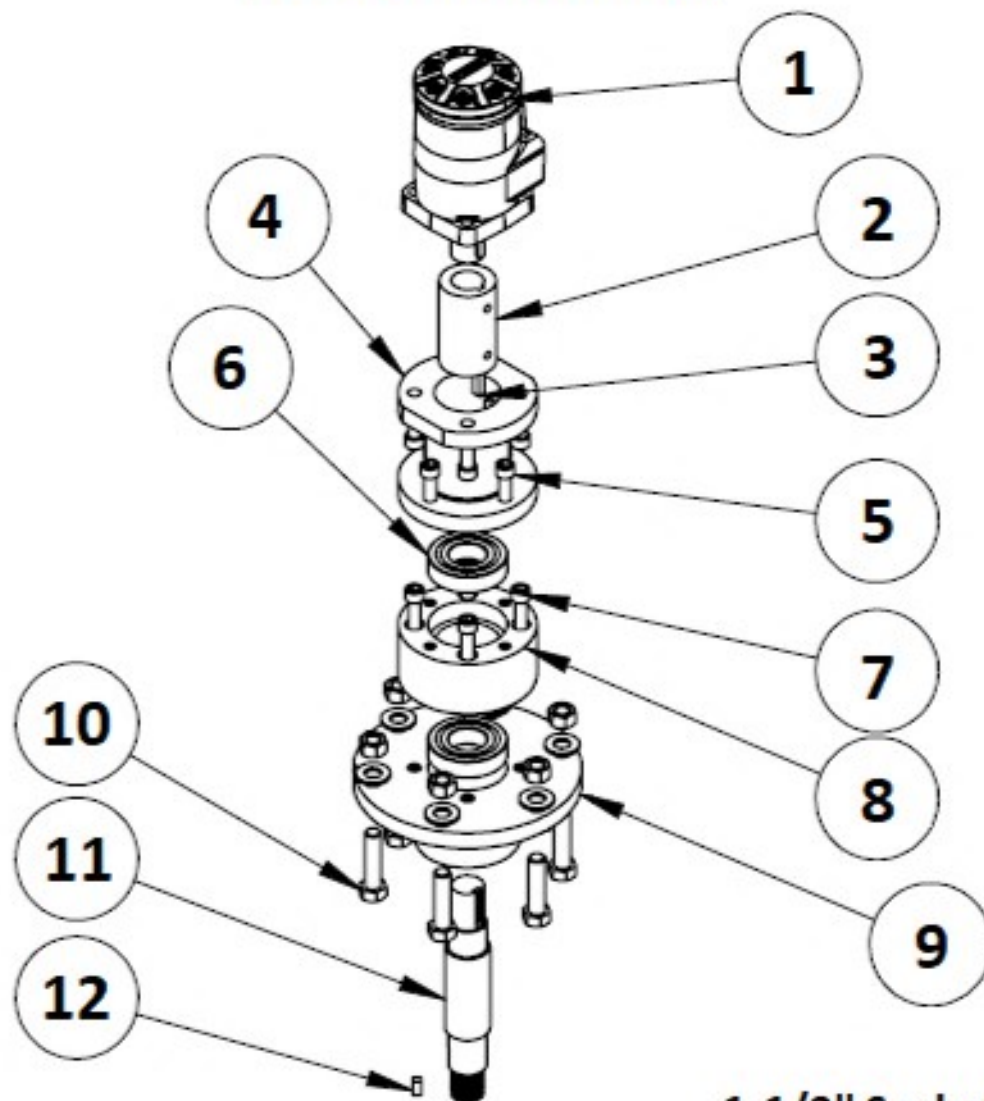


TB-MAX Jr. Main Frame Components

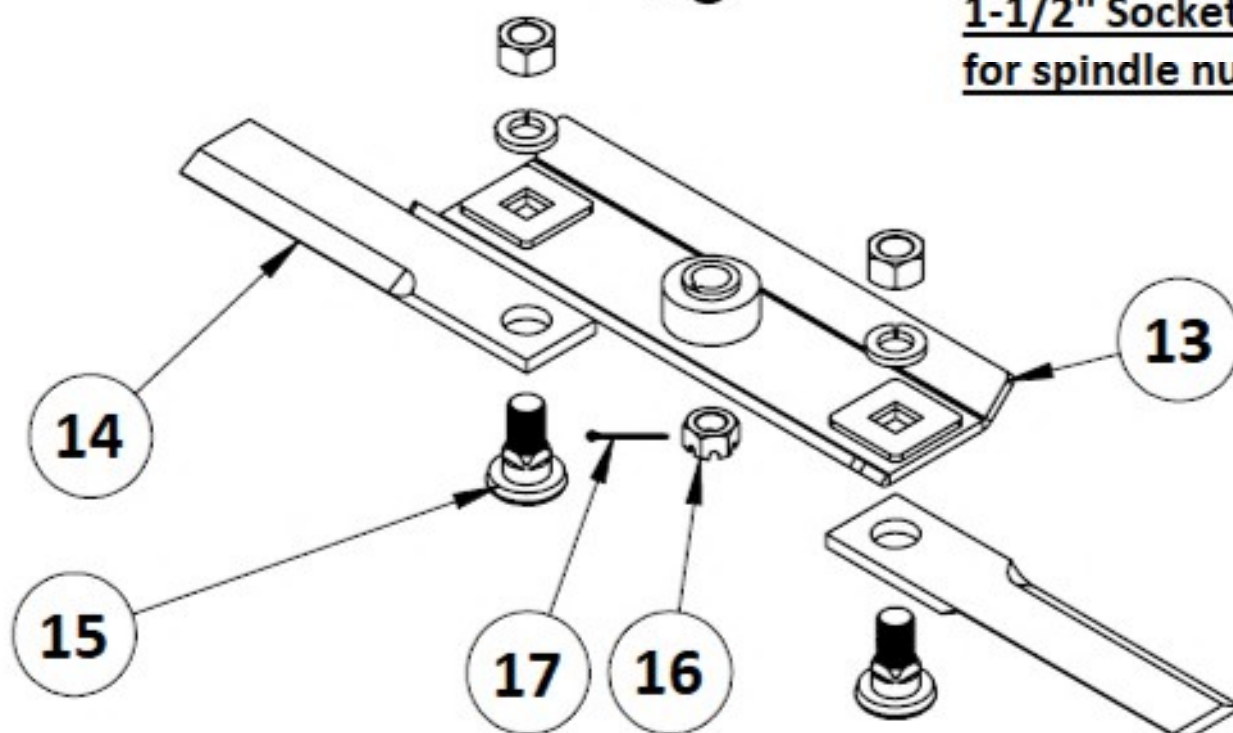
Item	Part #	Description	Qty
1	620120	TB-ULTIMATE Jr. (SSQA HITCH) Shown	A/R
	620121	TB-ULTIMATE Jr. (JD 400/500 HITCH) Not Shown	A/R
2	620140	TB-ULTIMATE Jr. SWING ARM	1
3	620005	PIVOT ARM BRG & CUP	4
4	620038	BEARING CAP	2
5	620095	BOLT & LOCKWASHER 5/8" X 1-1/2" Gr.8	4
6	620094	3/4" LOCK PIN	2
7	620093	WIRE LOCK CLEVIS PIN 1/4" X 2-3/8"	2
8	620141	FLOAT TUBE-INNER 1-1/2" Sq.	1
9	620142	FLOAT TUBE-OUTER 2" Sq.	1
10	620091	CLEVIS PIN 1/2"	2
11	620092	R-CLIP	2
12	620096	T-HANDLE PIN W/R-CLIP	1
13	620092	R-CLIP	1
14	620143	TB-ULTIMATE Jr. DECK WITH DECALS	1
15	620017	SAFETY SHIELD SPRING	2
16	620018	BOLT & LOCKNUT 3/8" X 2" Gr.2	2
17	620144	SAFETY SHIELD	1

Note: A/R = As Required

Motor Assembly



1-1/2" Socket size
for spindle nut



1-11/16 Socket size for blade bolt nut

Motor Assembly

Item	Part #	Description	Qty
1	620019	MOTOR 9-14 GPM	A/R
	620020	MOTOR 15-20 GPM	A/R
2	620023	COLLAR	1
	620024	SET SCREW 3/8" X 0.375"	2
	620025	SET SCREW 3/8" X .025"	2
3	620028	KEYWAY 1/4" X 1.25"	1
4	620021	MOTOR SPACER	1
5	620022	SOCKET HEAD SCREW 3/8" X 1"	4
6	620027	HUB BEARING 6206-2RS	2
7	620082	SOCKET HEAD SCREW 3/8" X 2"	4
8	620049	TOP HUB	1
9	620048	BOTTOM HUB	1
10	620083	BOLT, NUT & FLATWASHER 1/2" X 2"	6
11	620090	SPINDLE	1
12	620030	KEYWAY 1/4" X .50 "	1
13	620036	BLADE CARRIER FOR TB-FLEX 44"	1
	620109	BLADE CARRIER FOR TB-FLEX Jr. 32"	1
14	TB-44	CUTTER BLADE (Sold in Pairs) – FOR 44"	1
	TB-32	CUTTER BLADE (Sold in Pairs) – FOR 32"	1
15	110012	BLADE BOLT KIT (Sold in Pairs)	1
16	620033	BLADE CARRIER NUT 1"-12 LH THREAD	1
17	620034	COTTER PIN 1/8" X 2.25"	1

Note: A/R = As Required

*** 620130 Hub & Spindle (Complete Kit)**

Includes Items: 2,3,4,5,6,7,8,9,10,11,12,16,17