

# TB-One Series Rotary Cutter Parts Manual

**TRAILBLAZER**  
ATTACHMENTS

Contact your Authorized Trailblazer Dealer for all your parts needs

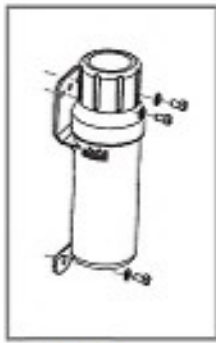


**DISCONTINUED**

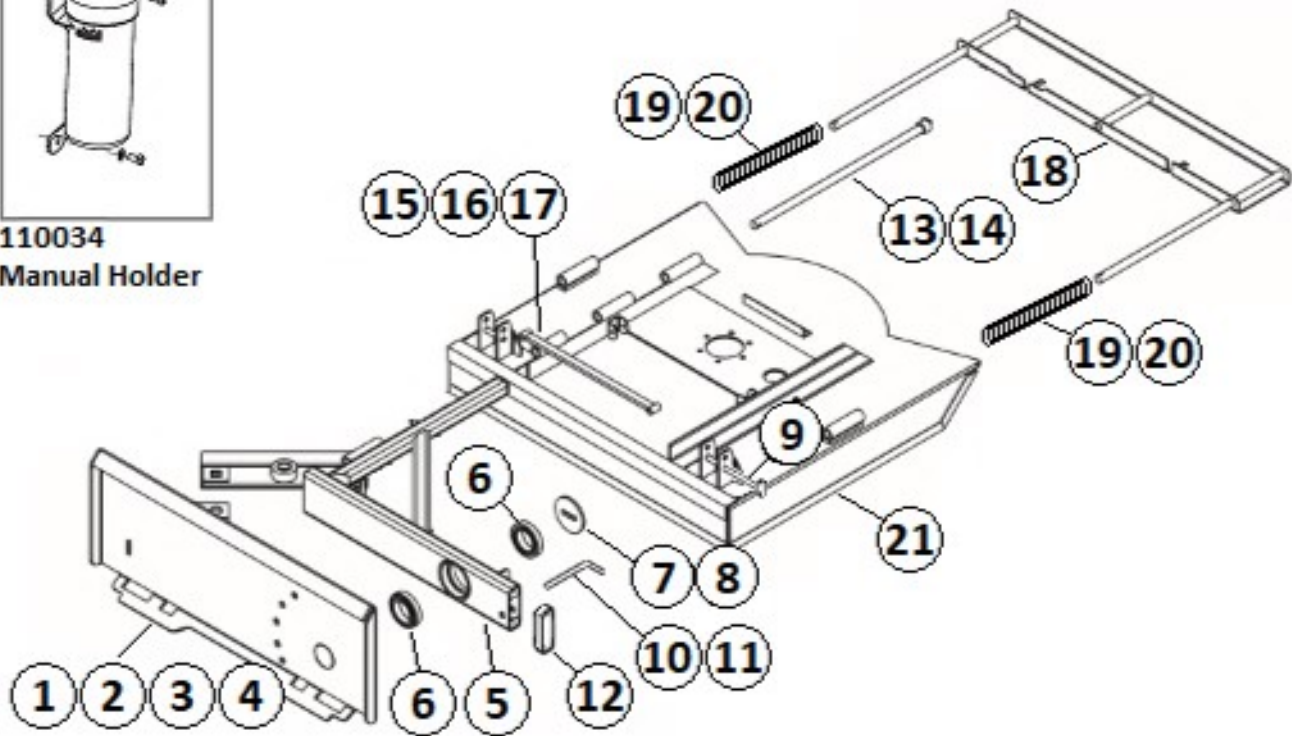
**TB - ONE**

# Deck Components

## STANDARD TB-1



110034  
Manual Holder



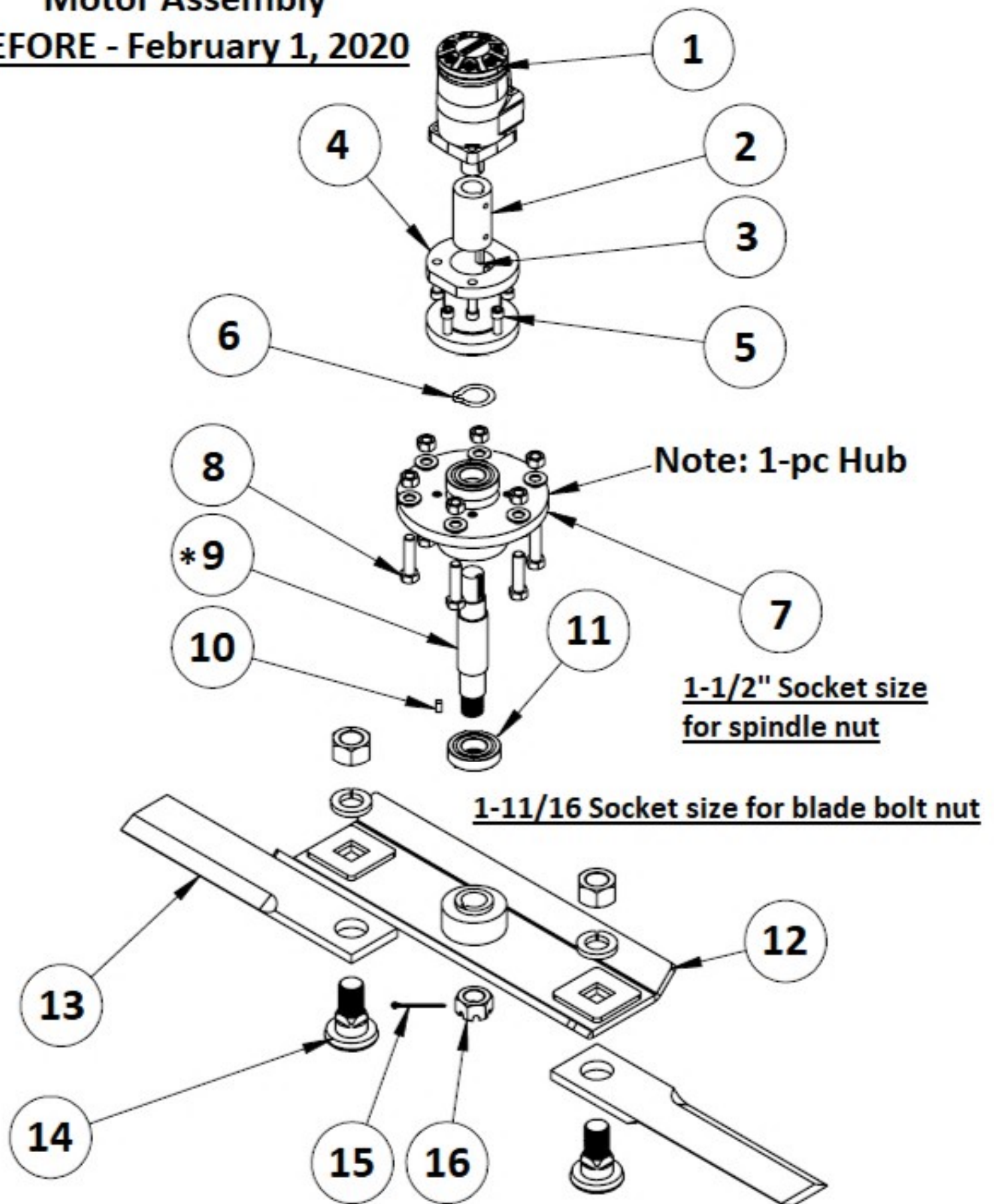
| Item | Part # | Description                                  | Qty |
|------|--------|--|-----|
| 1    | 620000 | UNIVERSAL SKID STEER PLATE                   | 1   |
| 2    | 620001 | JOHN DEERE 400 & 500 SERIES PLATE            | A/R |
| 3    | 620002 | EURO LOADER PLATE                            | A/R |
| 4    | 620003 | UNIVERSAL PIN ON PLATE                       | A/R |
| 5    | 620004 | PIVOT ARM ASSEMBLY                           | 1   |
| 6    | 620005 | PIVOT ARM BEARING & CUP – BRG29675/28620     | 2   |
| 7    | 620038 | BEARING CAP                                  | 2   |
| 8    | 620006 | BOLT & LOCKWASHER KIT 5/8" X 1-1/4" Gr.8     | 2   |
| 9    | 620007 | T HANDLE-PIN WITH R-CLIP                     | 2   |
| 10   | 620008 | POSITION LOCK PIN ASSY                       | 1   |
| 11   | 620009 | SPRING FOR POSITION LOCK PIN                 | 1   |
| 12   | 620010 | PIVOT ARM END CAP WITH SCREWS 1/4" X 1"      | 1   |
| 13   | 620011 | CONNECTING ROD FOR PIVOT ARM/DECK            | 1   |
| 14   | 620012 | CONNECTING ROD ROLL PIN 3/8" X 1-1/2"        | 1   |
| 15   | 620013 | DEGREE POSITION STABILIZER BAR               | 1   |
| 16   | 620014 | BOLT & LOCKNUT KIT 3/8" X 3" Gr.8            | 1   |
| 17   | 620015 | STABILIZER BAR ADJ. PIN KIT W/WASHERS & CLIP | 1   |
| 18   | 620016 | SAFETY SHIELD                                | 1   |
| 19   | 620017 | SAFETY SHIELD SPRING                         | 2   |
| 20   | 620018 | BOLT & LOCKNUT KIT 3/8" X 2" FOR SHIELD      | 1   |
| 21   | 620037 | 44" DECK ONLY WITH DECALS                    | 1   |

Note: A/R = As Required

**STANDARD TB-1**

**Motor Assembly**

**BEFORE - February 1, 2020**



**\* Note: This breakdown is for older style 1-pc Hub & Spindle  
Spindle Shaft length will measure 6-5/8" long**

**STANDARD TB-1**  
**Motor Assembly**  
**BEFORE - February 1, 2020**

| Item | Part # | Description                                       | Qty |
|------|--------|---|-----|
| 1    | 620019 | Motor 9 – 14 GPM                                  | A/R |
|      | 620020 | Motor 15 – 20 GPM                                 | A/R |
| 2    | 620023 | Collar  | 1   |
|      | 620024 | Set Screw 3/8" x .375" Hex Drive                  | 2   |
|      | 620025 | Set Screw 3/8" x .25" Hex Drive                   | 2   |
| 3    | 620028 | Keyway – Motor End 1/4" x 1.25"                   | 1   |
| 4    | 620021 | Motor Spacer                                      | 1   |
| 5    | 620022 | Spacer Bolt 3/8" x 1" (Socket Head Cap Screw)     | 8   |
| 6    | 620026 | Bearing Retainer Ring                             | 1   |
| 7    | 620031 | Motor Hub   | 1   |
| 8    | 620032 | Hub Bolt Kit 1/2" x 1.50" Gr.8 w/nut & lockwasher | 6   |
| 9    | 620029 | Spindle   | 1   |
| 10   | 620030 | Keyway – Hub End 1/4" x .50"                      | 1   |
| 11   | 620027 | Bearing 6206-2RS                                  | 2   |
| 12   | 620035 | Blade Carrier                                     | 1   |
| 13   | TB-44  | Cutter Blade (Sold in Pairs) – for 44" Deck       | 1   |
|      | TB-32  | Cutter Blade (Sold in pairs) – for 32" Deck       | 1   |
| 14   | 110012 | Blade Bolt Kit (2-Pack)                           | 1   |
| 15   | 620034 | Cotter Pin 1/8" x 2.25"                           | 1   |
| 16   | 620033 | Blade Carrier Nut 1"-12 LH Thread                 | 1   |

Note: A/R = As Required

**Note: This breakdown is for older style 1-pc Hub & Spindle  
 Spindle Shaft length will measure 6-5/8" long**

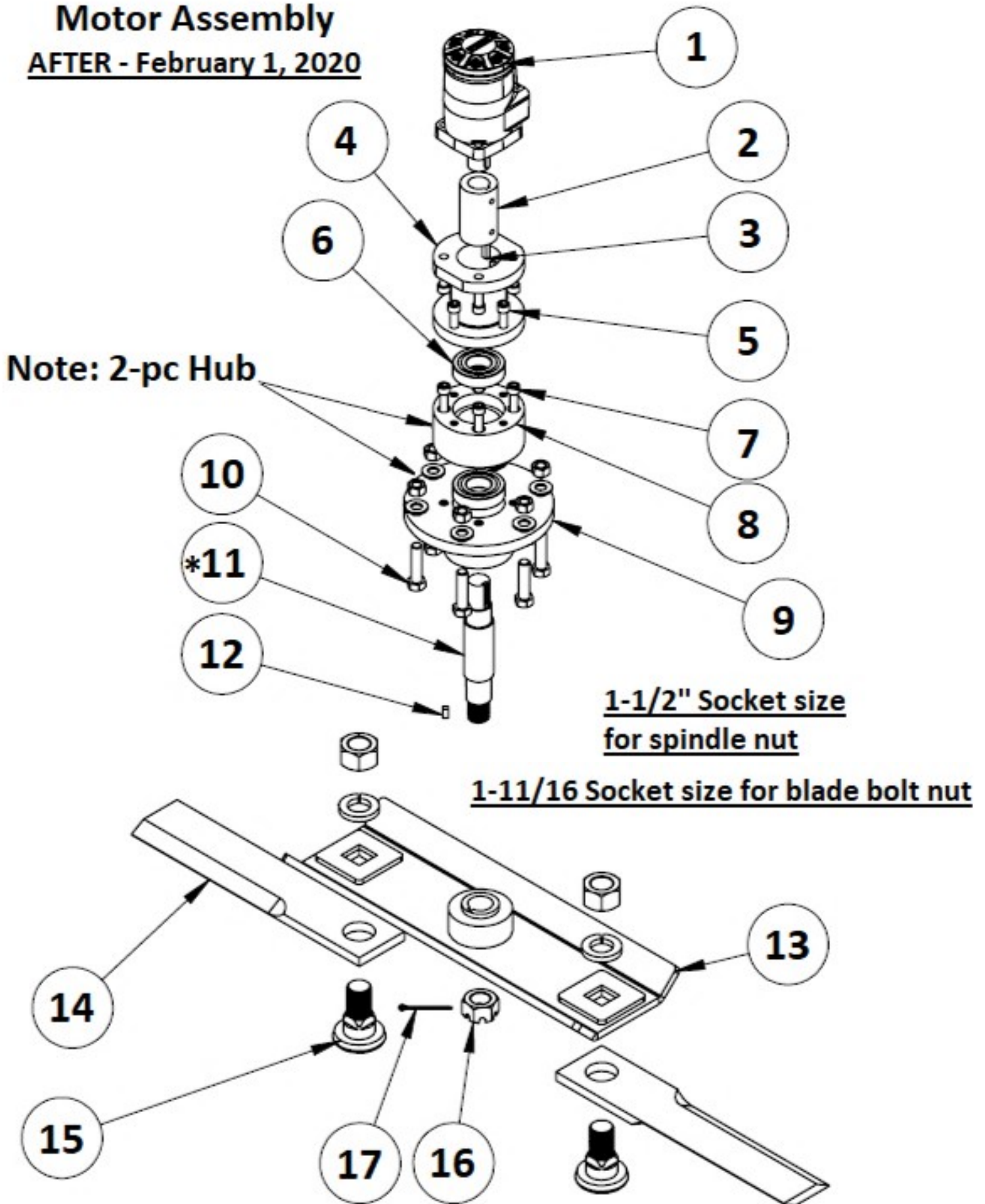
**\* NOT SHOWN**

|   |         |  |
|---|---------|--|
| * | TB1MHK  | 6-ft Hose Kit with ORB Fittings & 2 Male/Female Quick Disconnect Ag Coupling     |
| * | TBHK166 | 22-ft Hose Kit (16'+6') with ORB Fittings, Quick Couplers & 1/2" Return Fittings |
| * | TBHK206 | 26-ft Hose Kit (20'+6') with ORB Fittings, Quick Couplers & 1/2" Return Fittings |

**STANDARD TB-1**

**Motor Assembly**

**AFTER - February 1, 2020**



**\* Note: This breakdown for current 2-pc Hub & Spindle Spindle Shaft length will measure 7-7/8" long**

**Motor Assembly**  
**AFTER - February 1, 2020**

| Item | Part # | Description                       | Qty |
|------|--------|-----------------------------------|-----|
| 1    | 620019 | MOTOR 9-14 GPM                    | A/R |
|      | 620020 | MOTOR 15-20 GPM                   | A/R |
| 2    | 620023 | COLLAR                            | 1   |
|      | 620024 | SET SCREW 3/8" X 0.375"           | 2   |
|      | 620025 | SET SCREW 3/8" X .025"            | 2   |
| 3    | 620028 | KEYWAY 1/4" X 1.25"               | 1   |
| 4    | 620021 | MOTOR SPACER                      | 1   |
| 5    | 620022 | SOCKET HEAD SCREW 3/8" X 1"       | 4   |
| 6    | 620027 | HUB BEARING 6206-2RS              | 2   |
| 7    | 620082 | SOCKET HEAD SCREW 3/8" X 2"       | 4   |
| 8    | 620049 | TOP HUB                           | 1   |
| 9    | 620048 | BOTTOM HUB                        | 1   |
| 10   | 620083 | BOLT, NUT & FLATWASHER 1/2" X 2"  | 6   |
| 11   | 620090 | SPINDLE                           | 1   |
| 12   | 620030 | KEYWAY 1/4" X .50 "               | 1   |
| 13   | 620036 | BLADE CARRIER                     | 1   |
| 14   | TB-44  | CUTTER BLADE (Sold in Pairs)      | 1   |
| 15   | 110012 | BLADE BOLT KIT (Sold in Pairs)    | 1   |
| 16   | 620033 | BLADE CARRIER NUT 1"-12 LH THREAD | 1   |
| 17   | 620034 | COTTER PIN 1/8" X 2.25"           | 1   |

Note: A/R = As Required

**Note: This breakdown for current 2-pc Hub & Spindle  
Spindle Shaft length will measure 7-7/8" long**

**\* 620130 Hub & Spindle (Complete Kit)**  
**Includes Items: 2,3,4,5,6,7,8,9,10,11,12,16,17**