

TB-FLEX Series Rotary Cutter Parts Manual

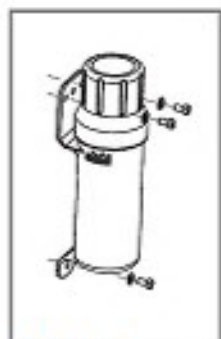
TRAILBLAZER
ATTACHMENTS

Contact your Authorized Trailblazer Dealer for all your parts needs

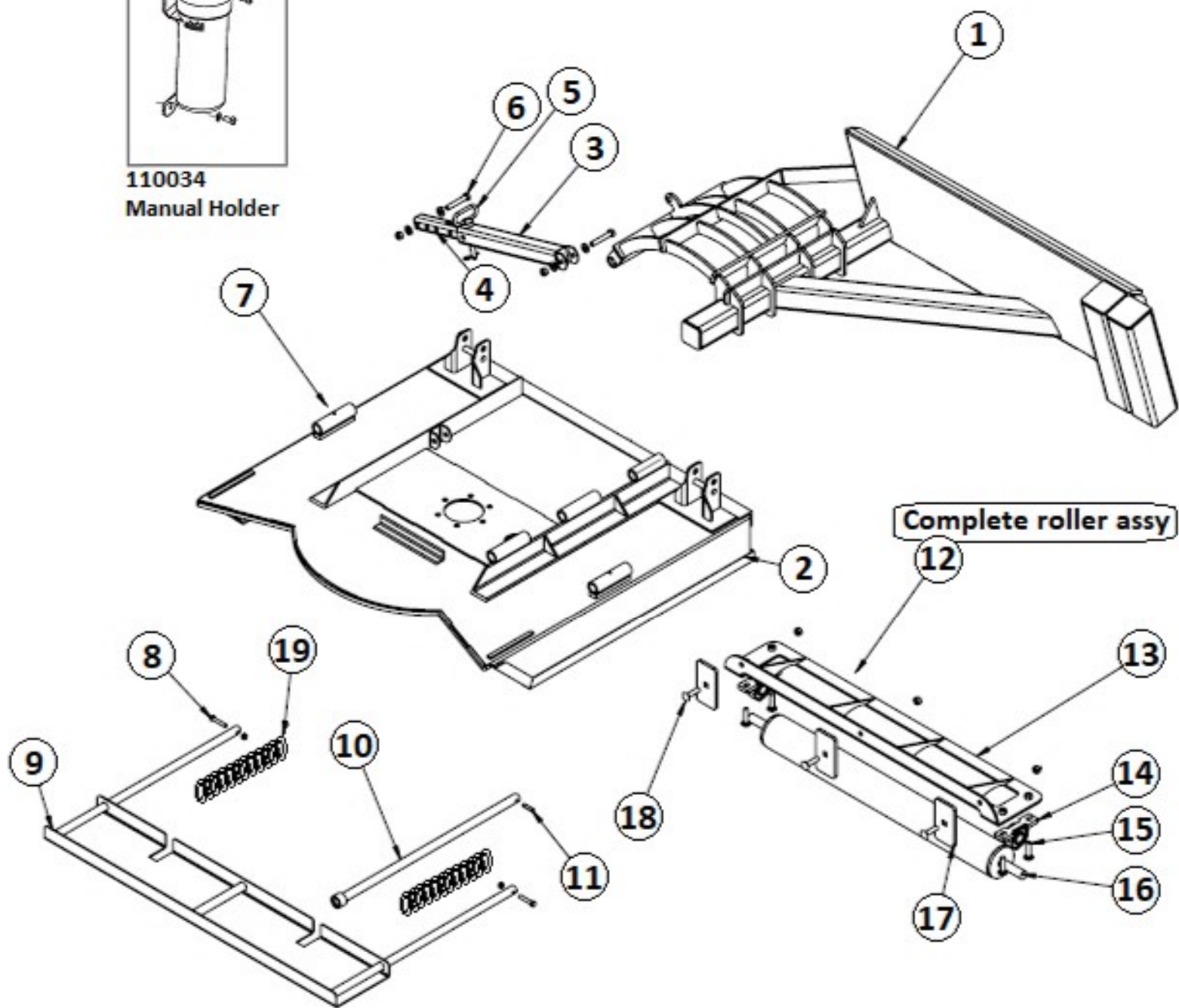


TB -Flex

TB-Flex 44" Deck Components



110034
Manual Holder



TB-Flex 44"

Deck Components

Item	Part #	Description	Qty
1	620043	TB-FLEX SSQA HITCH	A/R
	620044	TB-FLEX JOHN DEERE 400/500 HITCH	A/R
	620045	TB-FLEX EURO GLOBAL HITCH	A/R
	620046	TB-FLEX PIN ON HITCH	A/R
2	620037	TB-DECK 44"	1
3	620084	ADJUSTMENT TUBE – 2"	1
4	620085	ADJUSTMENT TUBE – 1-1/2"	1
5	620007	T-HANDLE PIN WITH R-CLIP 1/2" x 3-5/8"	1
6	620088	BOLT, WASHER & NUT 1/2" x 3"	2
7	110021	GREASE ZERK 5/16"	2
8	620018	SAFETY SPRING RETAINING BOLT & NUT 3/8" X 2"	2
9	620016	SAFETY SHIELD	1
10	620011	PIVOT ARM CONNECTING ROD	1
11	620012	ROLL PIN 3/8" x 1-1/2"	1
12	620114	COMPLETE ROLLER ASSY	1
13	620086	ROLLER BRACKET	1
14	810110	PILLOW BLOCK BEARING – 1"	2
15	110069	BOLT & NUT KIT 1/2" x 2" (4-Pack)	1
16	620087	ROLLER	1
17	620047	ROLLER SUPPORT PLATE	2
18	110069	BOLT & NUT KIT 1/2" x 2" (4-Pack)	1
19	620017	SAFETY SHIELD SPRING	2

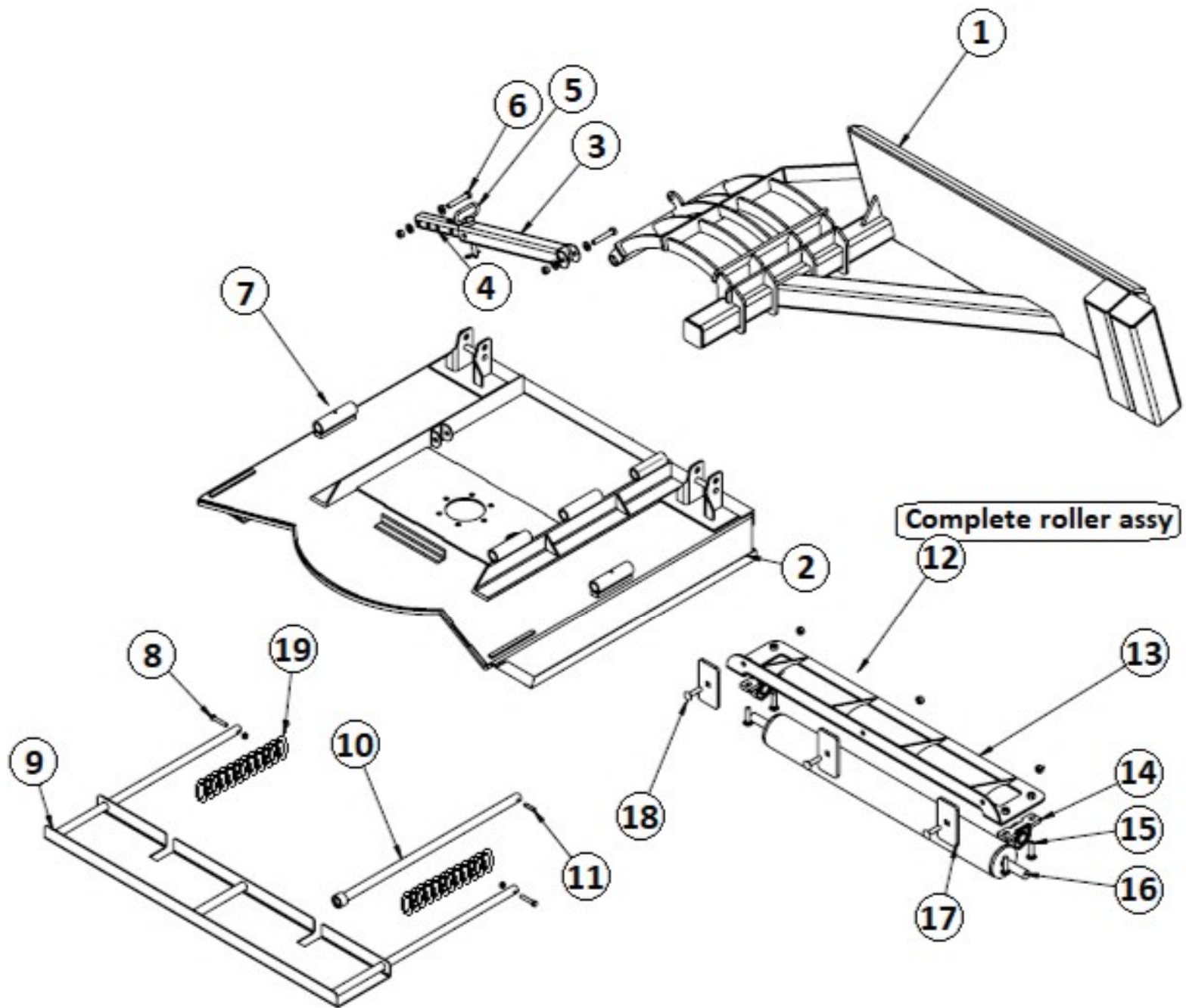
Note: A/R = As Required

*Not Shown 620099 Support Stand

* NOT SHOWN

*	TB1MHK	6-ft Hose Kit with ORB Fittings & 2 Male/Female Quick Disconnect Ag Coupling
*	TBHK166	22-ft Hose Kit (16'+6') with ORB Fittings, Quick Couplers & 1/2" Return Fittings
*	TBHK206	26-ft Hose Kit (20'+6') with ORB Fittings, Quick Couplers & 1/2" Return Fittings

TB-Flex 32" Deck Components



TB-Flex 32" Deck Components

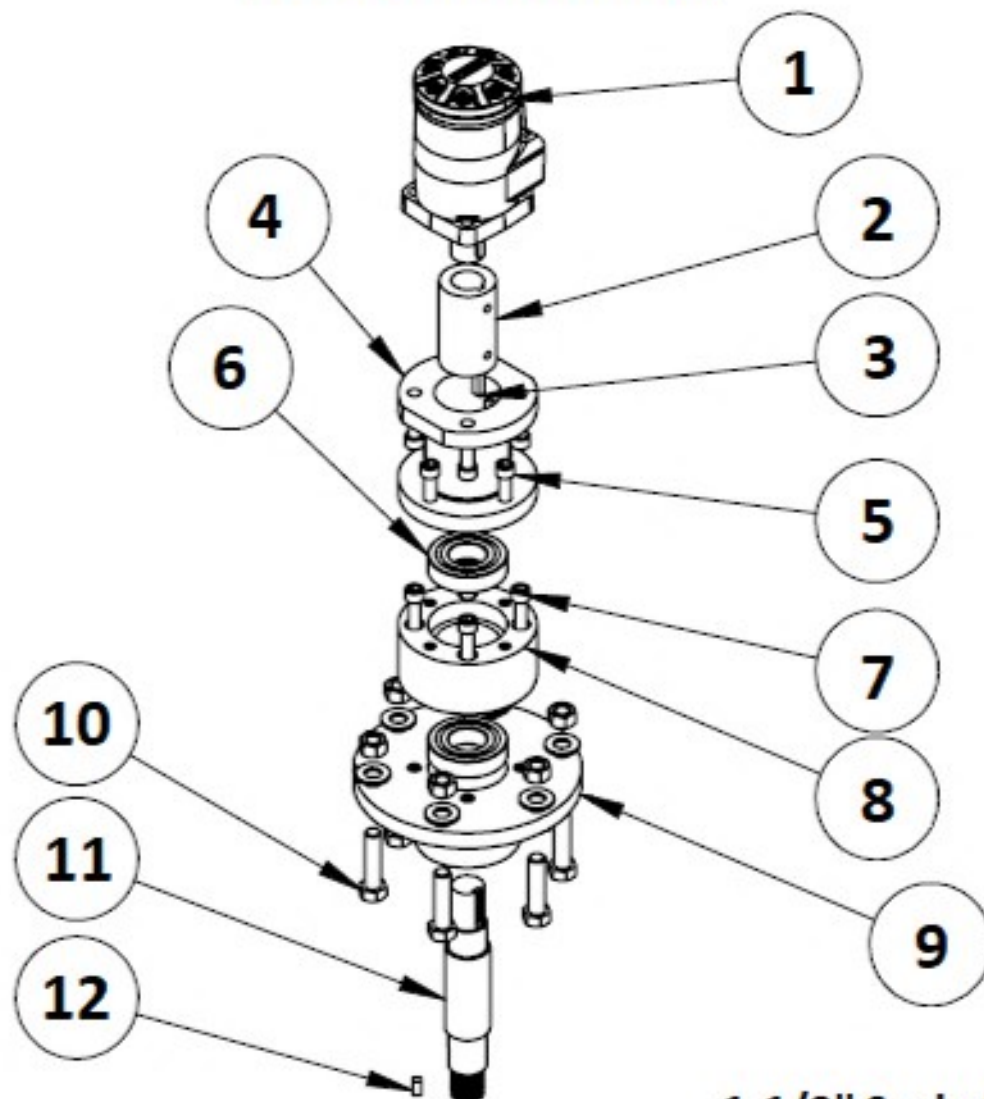
Item	Part #	Description	Qty
1	620100	TB FLEX Jr. - SSQA HITCH	A/R
	620101	TB FLEX Jr. - JD 400/500 HITCH	A/R
	620102	TB FLEX Jr. - EURO GLOBAL HITCH	A/R
	620103	TB FLEX Jr. - PIN ON HITCH	A/R
2	620104	32" DECK ONLY W/DECALS	1
3	620105	ADJ. TUBE - FEMALE	1
4	620106	ADJ. TUBE - MALE	1
5	620007	T-HANDLE PIN WITH R-CLIP 1/2" x 3-5/8"	1
6	620088	BOLT, WASHER & NUT 1/2" x 3"	2
7	110021	GREASE ZERK 5/16"	2
8	620018	SAFETY SPRING RETAINING BOLT & NUT 3/8" X 2"	2
9	620107	SAFETY SHIELD	1
10	620108	HINGE ROD	1
11	620012	ROLL PIN 3/8" x 1-1/2"	1
12	620115	TB FLEX Jr. - 32" ROLLER ASSEMBLY	1
13	620110	ROLLER BRACKET	1
14	810110	PILLOW BLOCK BEARING - 1"	2
15	110069	BOLT & NUT KIT 1/2" x 2" (4-Pack)	1
16	620111	ROLLER	1
17	620047	ROLLER SUPPORT PLATE	2
18	110069	BOLT & NUT KIT 1/2" x 2" (4-Pack)	1
19	620112	SAFETY SHIELD SPRING	2

Note: A/R = As Required

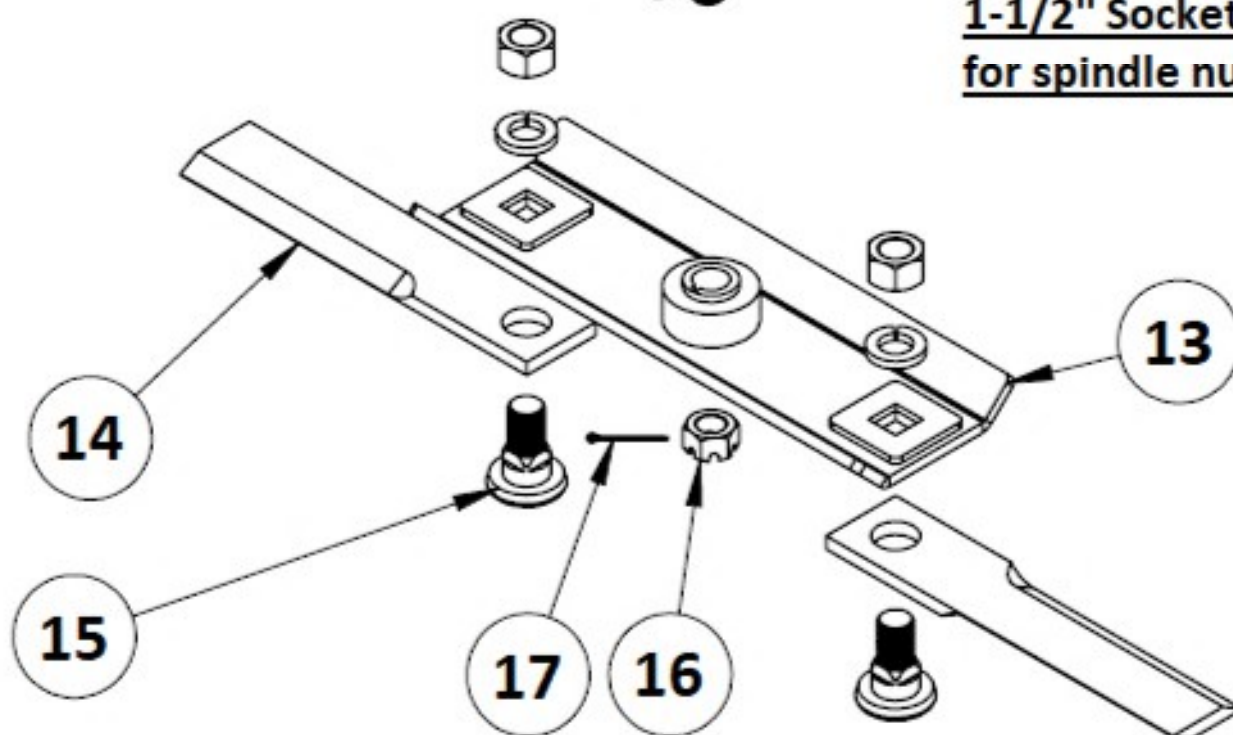
* NOT SHOWN

*	TB1MHK	6-ft Hose Kit with ORB Fittings & 2 Male/Female Quick Disconnect Ag Coupling
*	TBHK166	22-ft Hose Kit (16'+6') with ORB Fittings, Quick Couplers & 1/2" Return Fittings
*	TBHK206	26-ft Hose Kit (20'+6') with ORB Fittings, Quick Couplers & 1/2" Return Fittings

Motor Assembly



1-1/2" Socket size
for spindle nut



1-11/16 Socket size for blade bolt nut

Motor Assembly

Item	Part #	Description	Qty
1	620019	MOTOR 9-14 GPM	A/R
	620020	MOTOR 15-20 GPM	A/R
2	620023	COLLAR	1
	620024	SET SCREW 3/8" X 0.375"	2
	620025	SET SCREW 3/8" X .025"	2
3	620028	KEYWAY 1/4" X 1.25"	1
4	620021	MOTOR SPACER	1
5	620022	SOCKET HEAD SCREW 3/8" X 1"	4
6	620027	HUB BEARING 6206-2RS	2
7	620082	SOCKET HEAD SCREW 3/8" X 2"	4
8	620049	TOP HUB	1
9	620048	BOTTOM HUB	1
10	620083	BOLT, NUT & FLATWASHER 1/2" X 2"	6
11	620090	SPINDLE	1
12	620030	KEYWAY 1/4" X .50 "	1
13	620036	BLADE CARRIER FOR TB-FLEX 44"	1
	620109	BLADE CARRIER FOR TB-FLEX Jr. 32"	1
14	TB-44	CUTTER BLADE (Sold in Pairs) – FOR 44"	1
	TB-32	CUTTER BLADE (Sold in Pairs) – FOR 32"	1
15	110012	BLADE BOLT KIT (Sold in Pairs)	1
16	620033	BLADE CARRIER NUT 1"-12 LH THREAD	1
17	620034	COTTER PIN 1/8" X 2.25"	1

Note: A/R = As Required

*** 620130 Hub & Spindle (Complete Kit)**

Includes Items: 2,3,4,5,6,7,8,9,10,11,12,16,17