

TB MAX-2 Rotary Cutter Parts Manual

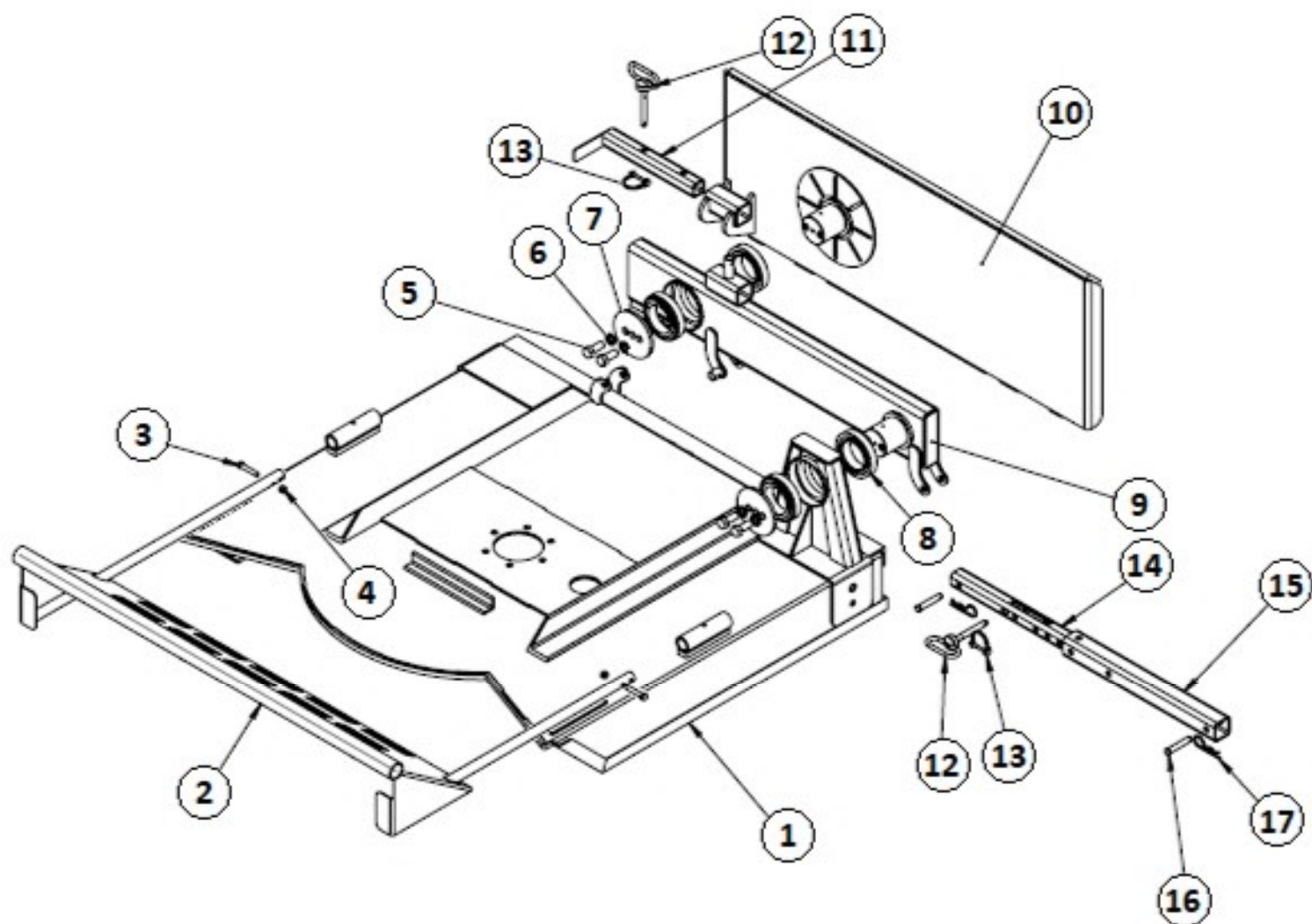
TRAILBLAZER
ATTACHMENTS

Contact your Authorized Trailblazer Dealer for all your parts needs



TB - MAX 2

TB Max-2 (44" Deck) Main Frame Components



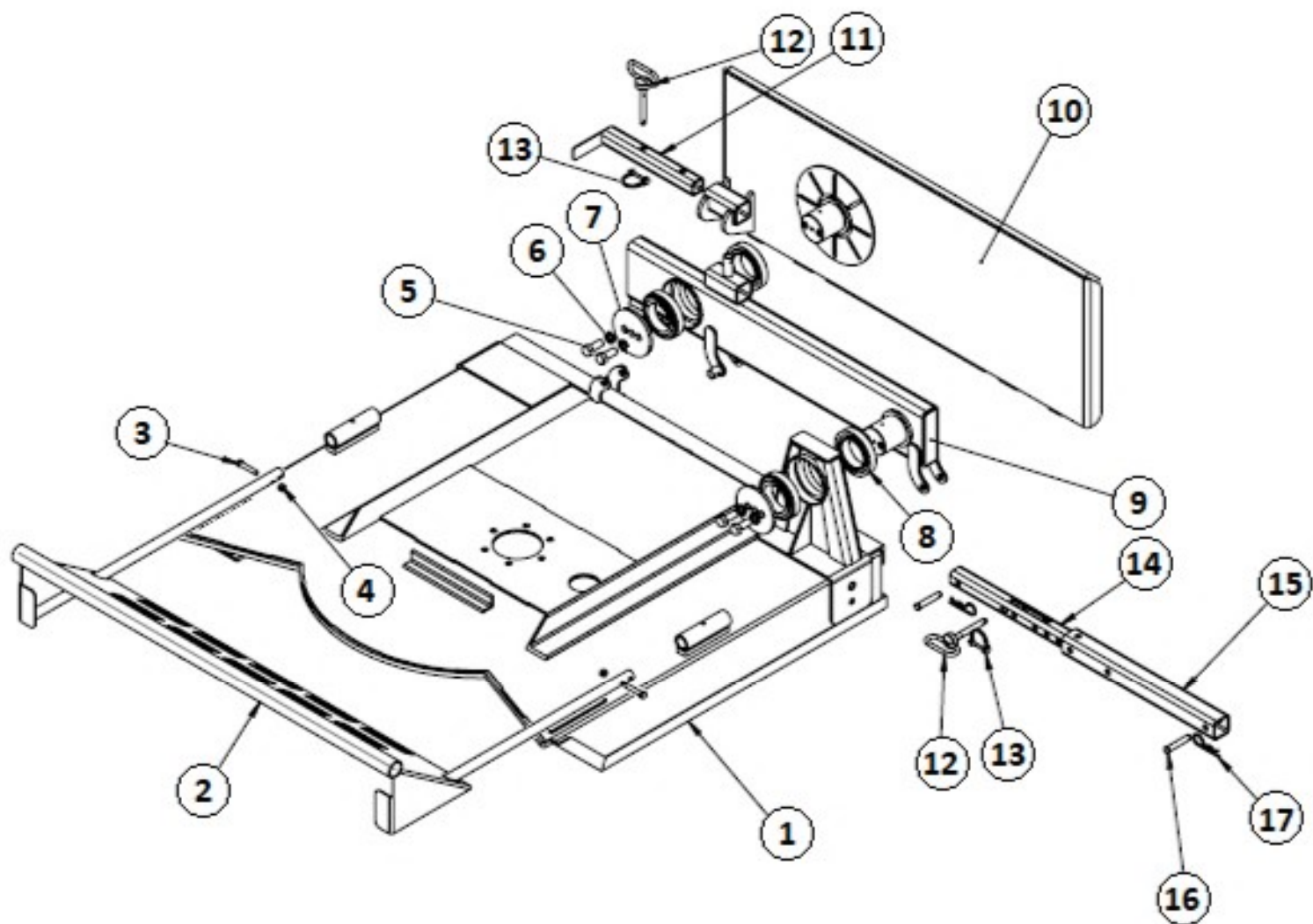
TB Max-2 (44" Deck)

Main Frame Components

| Item | Part # | Description | Qty |
|------|--------|------------------------------------|-----|
| 1 | 620150 | 44" Deck Weldment | 1 |
| 2 | 620151 | Safety Shield | 1 |
| 3 | 620018 | Bolt 3/8" x 2 for Safety Shield | 2 |
| 4 | 620089 | Lock Nut 3/8" | 2 |
| 5 | 620095 | Bolt 5/8" x 1-1/2" for Bearing Cap | 4 |
| 6 | 620098 | Lockwasher 5/8" | 4 |
| 7 | 620038 | Bearing Cap | 2 |
| 8 | 620005 | Pivot Arm Bearing | 4 |
| 9 | 620153 | Pivot Arm | 1 |
| 10 | 620155 | SSQA Hitch (Shown) | A/R |
| | 620156 | JD 400/500 Hitch | A/R |
| | 620157 | Euro Global Hitch | A/R |
| | 620158 | Universal Pin On Hitch | A/R |
| 11 | 620154 | Arm Lock Weldment | 1 |
| 12 | 620096 | T-Pin w/Clip | 2 |
| 13 | 620152 | Wire Lock Clevis Pin 1/4" x 2-3/8" | 2 |
| 14 | 620126 | Float Tube – Inner 1-1/2" Sq. | 1 |
| 15 | 620125 | Float Tube – Outer 2" Sq. | 1 |
| 16 | 620091 | Clevis Pin 1/2" | 2 |
| 17 | 620092 | R-Clip – Hairpin | 2 |

A/R = As Required

TB Max-2 (32" Deck) Main Frame Components



TB Max-2 (32" Deck)

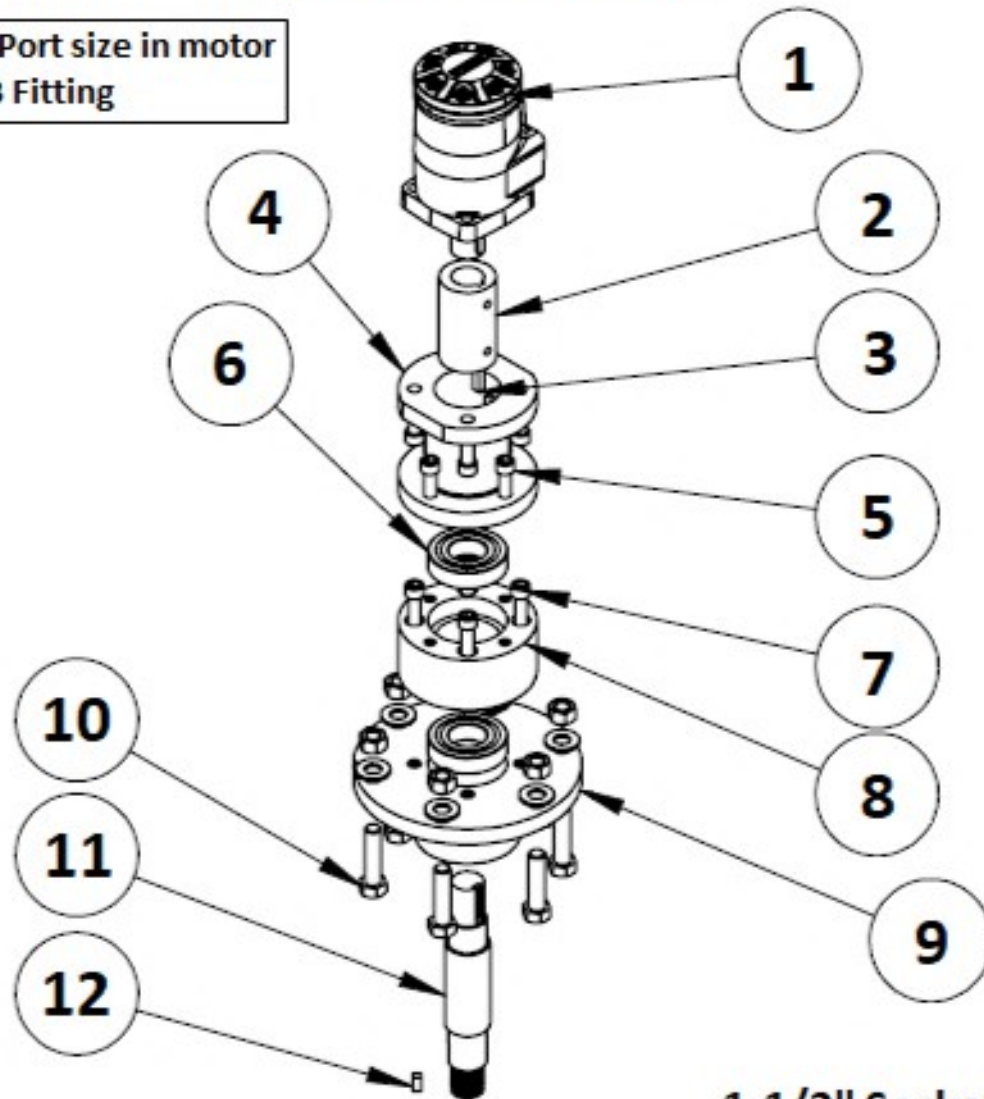
Main Frame Components

| Item | Part # | Description | Qty |
|------|--------|------------------------------------|-----|
| 1 | 620170 | 32" Deck Weldment | 1 |
| 2 | 620171 | Safety Shield | 1 |
| 3 | 620018 | Bolt 3/8" x 2 for Safety Shield | 2 |
| 4 | 620089 | Lock Nut 3/8" | 2 |
| 5 | 620095 | Bolt 5/8" x 1-1/2" for Bearing Cap | 4 |
| 6 | 620098 | Lockwasher 5/8" | 4 |
| 7 | 620038 | Bearing Cap | 2 |
| 8 | 620005 | Pivot Arm Bearing | 4 |
| 9 | 620153 | Pivot Arm | 1 |
| 10 | 620155 | SSQA Hitch (Shown) | A/R |
| | 620166 | JD 400/500 Hitch | A/R |
| | 620167 | Euro Global Hitch | A/R |
| | 620168 | Universal Pin On Hitch | A/R |
| 11 | 620154 | Arm Lock Weldment | 1 |
| 12 | 620096 | T-Pin w/Clip | 2 |
| 13 | 620152 | Wire Lock Clevis Pin 1/4" x 2-3/8" | 2 |
| 14 | 620141 | Float Tube – Inner 1-1/2" Sq. | 1 |
| 15 | 620142 | Float Tube – Outer 2" Sq. | 1 |
| 16 | 620091 | Clevis Pin 1/2" | 2 |
| 17 | 620092 | R-Clip – Hairpin | 2 |

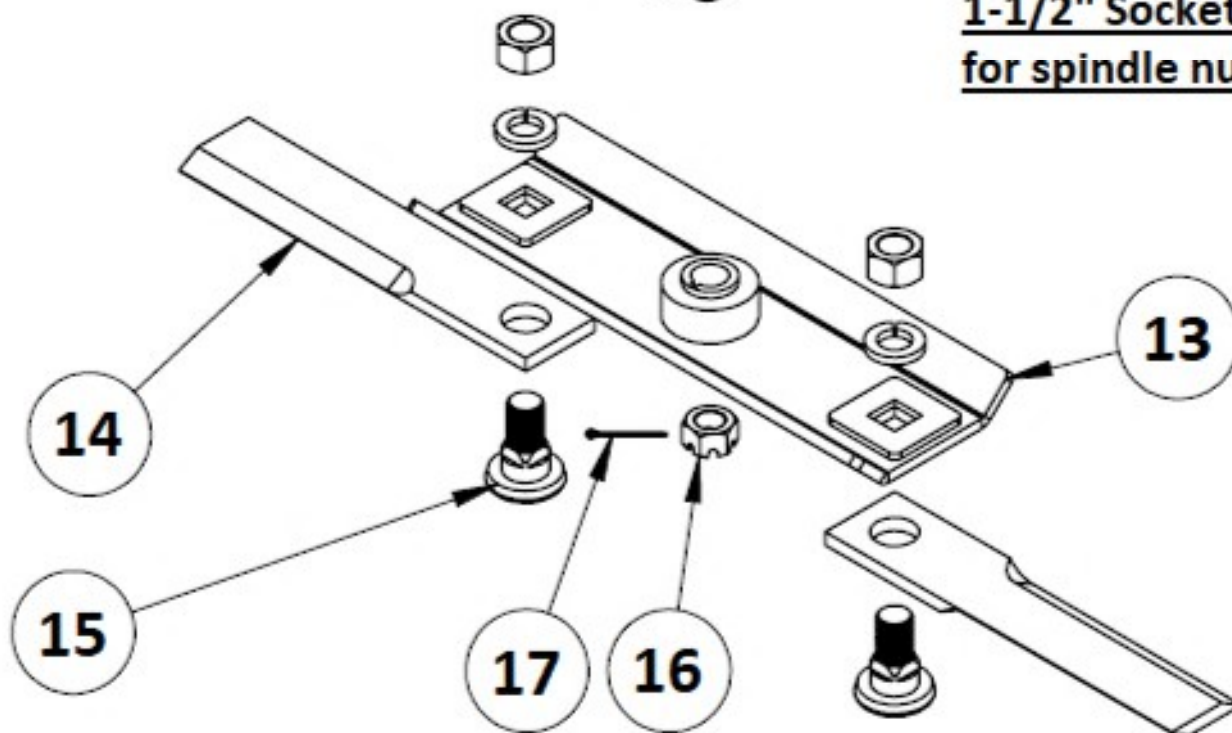
A/R = As Required

Motor Assembly

7/8-14 UNF-2B Port size in motor
Use 7/8-14 ORB Fitting



1-1/2" Socket size
for spindle nut



1-11/16 Socket size for blade bolt nut

Motor Assembly

| Item | Part # | Description | Qty |
|------|--------|--|-----|
| 1 | 620019 | MOTOR 9-14 GPM | A/R |
| | 620020 | MOTOR 15-20 GPM | A/R |
| 2 | 620023 | COLLAR | 1 |
| | 620024 | SET SCREW 3/8" X 0.375" | 2 |
| | 620025 | SET SCREW 3/8" X .025" | 2 |
| 3 | 620028 | KEYWAY 1/4" X 1.25" | 1 |
| 4 | 620021 | MOTOR SPACER | 1 |
| 5 | 620022 | SOCKET HEAD SCREW 3/8" X 1" | 8 |
| 6 | 620027 | HUB BEARING 6206-2RS | 2 |
| 7 | 620082 | SOCKET HEAD SCREW 3/8" X 2" | 4 |
| 8 | 620049 | TOP HUB | 1 |
| 9 | 620048 | BOTTOM HUB | 1 |
| 10 | 620083 | BOLT, NUT & FLATWASHER 1/2" X 2" | 6 |
| 11 | 620090 | SPINDLE | 1 |
| 12 | 620030 | KEYWAY 1/4" X .50 " | 1 |
| 13 | 620036 | BLADE CARRIER FOR TB-FLEX 44" | 1 |
| | 620109 | BLADE CARRIER FOR TB-FLEX Jr. 32" | 1 |
| 14 | TB-44 | CUTTER BLADE (Sold in Pairs) – FOR 44" | 1 |
| | TB-32 | CUTTER BLADE (Sold in Pairs) – FOR 32" | 1 |
| 15 | 110012 | BLADE BOLT KIT (Sold in Pairs) | 1 |
| 16 | 620033 | BLADE CARRIER NUT 1"-12 LH THREAD | 1 |
| 17 | 620034 | COTTER PIN 1/8" X 2.25" | 1 |

Note: A/R = As Required

* 620130 Hub & Spindle (Complete Kit)

Includes Items: 2,3,4,5,6,7,8,9,10,11,12,16,17